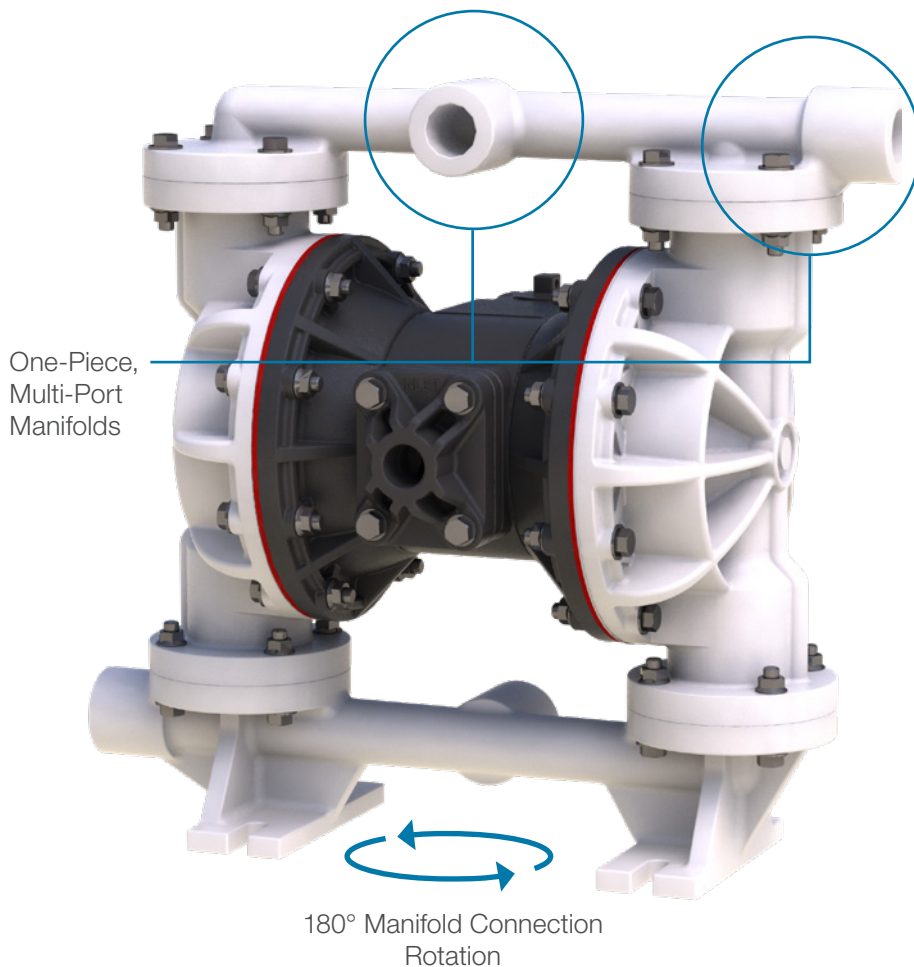


INLINE ONE-PIECE, MULTI-PORT MANIFOLDS

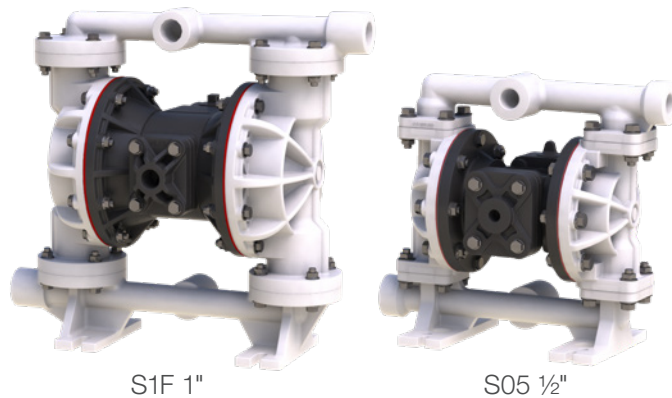
Available for S05 ½" & S1F 1" Polypropylene Line

Features & Benefits:

- One-Piece inline manifolds with movable plugs
- Multi-Port connection options (center & side)
- Corrosion resistant Polypropylene feet
- Dimensional drop-in for ½" & 1" ARO® units (footprint)
- Same footprint as current Warren Rupp® S05 unit
- 50% Fewer potential leak points
- Faster assembly and disassembly
- Simple installation into Warren Rupp or competitive ½" & 1" pump accounts / OEMs

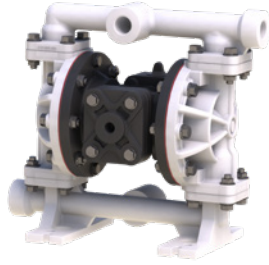


The SANDPIPER® philosophy of "More Ways than One" continues with the latest S05 and S1F product line enhancements. We have extended our product offering to include the new one-piece, multi-port manifolds for the S05 ½" and S1F 1" polypropylene line. This product line addition enhances and extends SANDPIPER'S already extensive line of S05 and S1F standard duty non-metallic ball valve pumps.



Standard Duty Ball Non-Metallic Polypropylene

1/2" Pump with One Piece Manifold - S05



S05 1/2"

SANDPIPER® is pleased to offer our new inline, one-piece, multi-port manifold for the S05 1/2" polypropylene line.

Features & Benefits:

- One-Piece inline manifolds with movable plugs
- Multi-Port connection options (center and side)
- Corrosion resistant Polypropylene feet vs. 316SS brackets used on 3 piece design
- Dimensional drop-in for 1/2" ARO® units (footprint)
- Same footprint as current Warren Rupp® S05 standard pump
- 50% Fewer potential leak points
- Faster assembly and disassembly
- Simple installation into Warren Rupp or competitive 1/2" pump accounts / OEMs

Applications:

- Chemical Dispensing
- OEM systems manufacturing

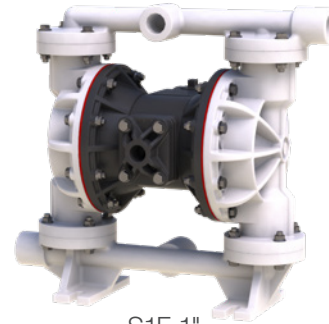
Models:

- S05B2PUTPNI000
- S05B2P1TPNI000
- S05B2PBTPNI000
- S05B2P2TPNI000
- S05B2PZTPNI000

Note: The new inline option is available in polypropylene only. Our standard S05 and S1F nonmetallic designs are still available. If you would like the dual or vertical ported models, please order the original three piece manifold pump. There will be an adder for the original three piece manifold design. Please refer to the price book or contact your Regional Sales Manager for more details.

ARO® is a registered trademark of Ingersoll-Rand Company.

1" Pump with One Piece Manifold - S1F



S1F 1"

SANDPIPER is pleased to offer our new inline, one-piece, multi-port manifold for the S1F 1" polypropylene line.

Features & Benefits:

- One-Piece inline manifolds with movable plugs
- Multi-Port connection options (center and side)
- Inline option is NPT vs. flanged
- Dimensional drop-in for 1" ARO® units (footprint)
- Porting dimensions equal to standard S1F standard pump (center port center line)
- 50% Fewer potential leak points
- Faster assembly and disassembly
- Simple installation into Warren Rupp or competitive 1" pump accounts / OEMs

Applications:

- Chemical Dispensing
- OEM systems manufacturing

Models:

- S1FB3P1PPNI000
- S1FB3PBPPNI000
- S1FB3PNPPNI000
- S1FB3PVPPNI000
- S1FB3PGPPNI000
- S1FB3P2PPNI000
- S1FB3PZPPNI000



Warren Rupp, Inc.
A Unit of IDEX Corporation
800 North Main Street
Mansfield, OH 44902 USA

Phone: 419.524.8388
Fax: 419.522.7867
SANDPIPERPUMP.COM



©Copyright 2020 Warren Rupp, Inc. All Rights Reserved.

Contact Your Local Distributor to Place Your Order: